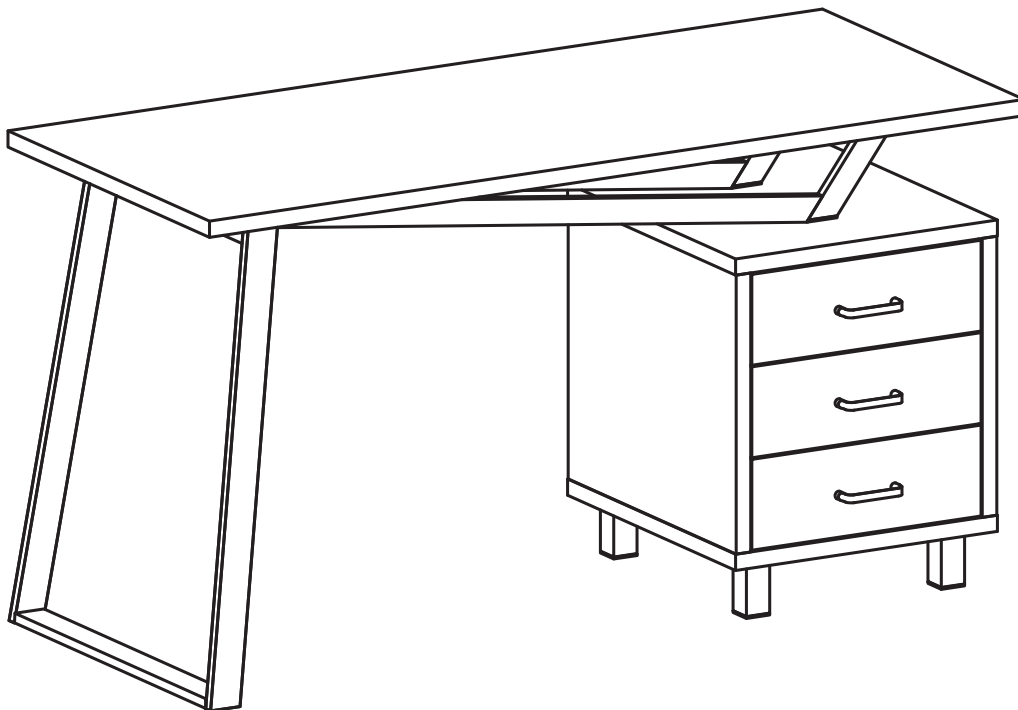


English

COMPUTER TABLE

ASSEMBLY INSTRUCTION

Thanks for purchasing one of our products, please read carefully the assembly instructions before the installation (Attention: Do not tighten the screws before all screws are in place).



TWO PEOPLE REQUIRED

MODEL CT-3533

General Care:

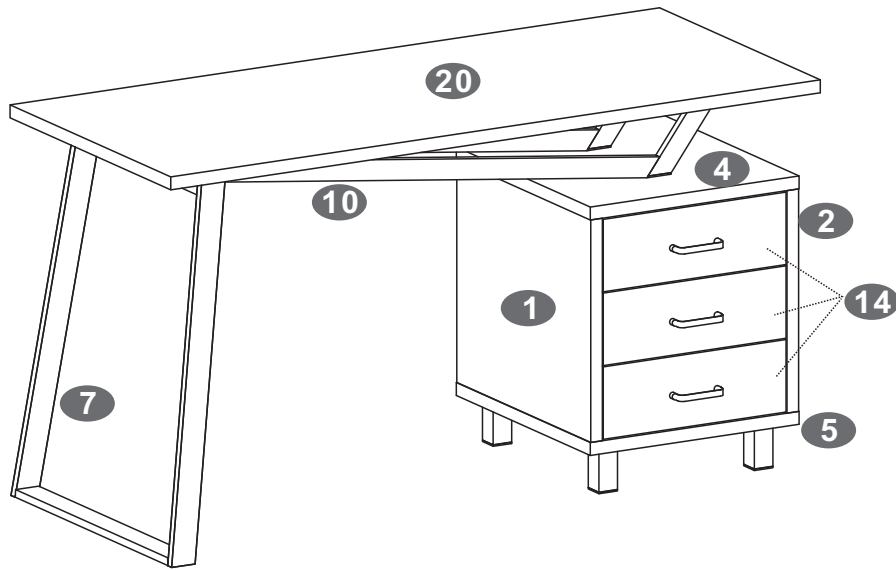
-Keep your furniture out direct sunlight-Use desk pads and coasters to protect the surface from dents,scratches,and moisture from hot or cold liquids.

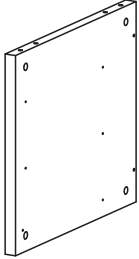
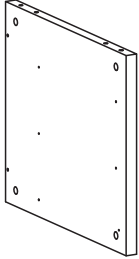
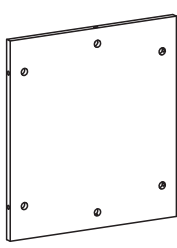
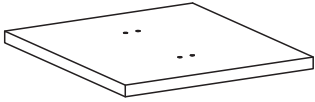
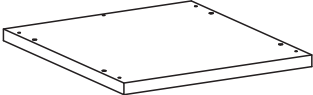
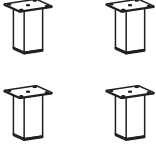
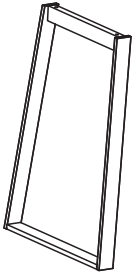
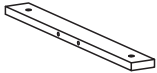




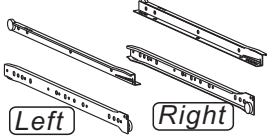
Cleaning:

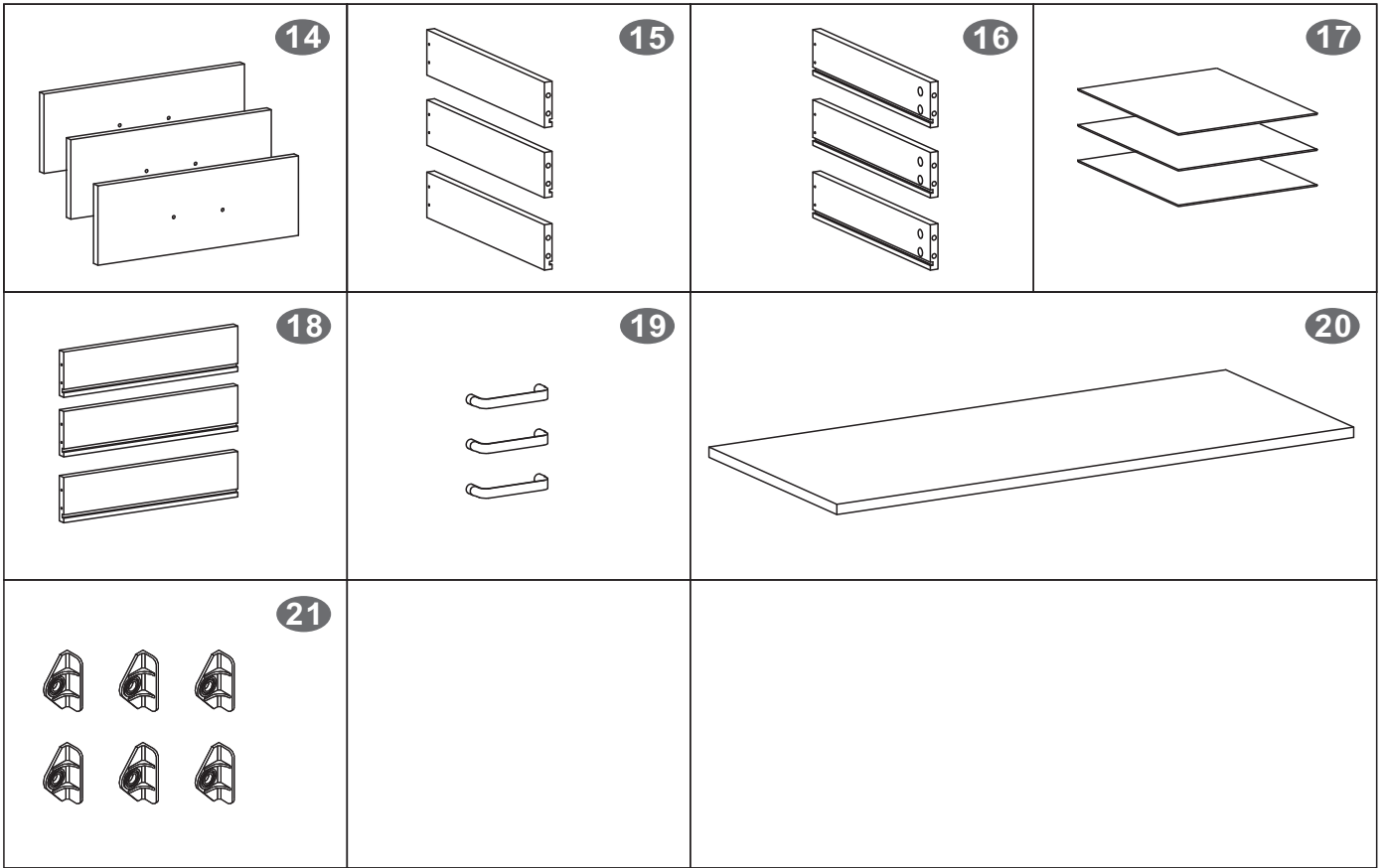
-For cleaning, wipe the surface with a damp (not wet) cloth or wipe dry with a clean lint free cotton cloth.
-Window cleaning liquid or a similar cleaning liquid can be used to clean glass surface.




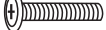
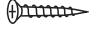
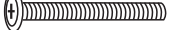









▀PARTS LIST



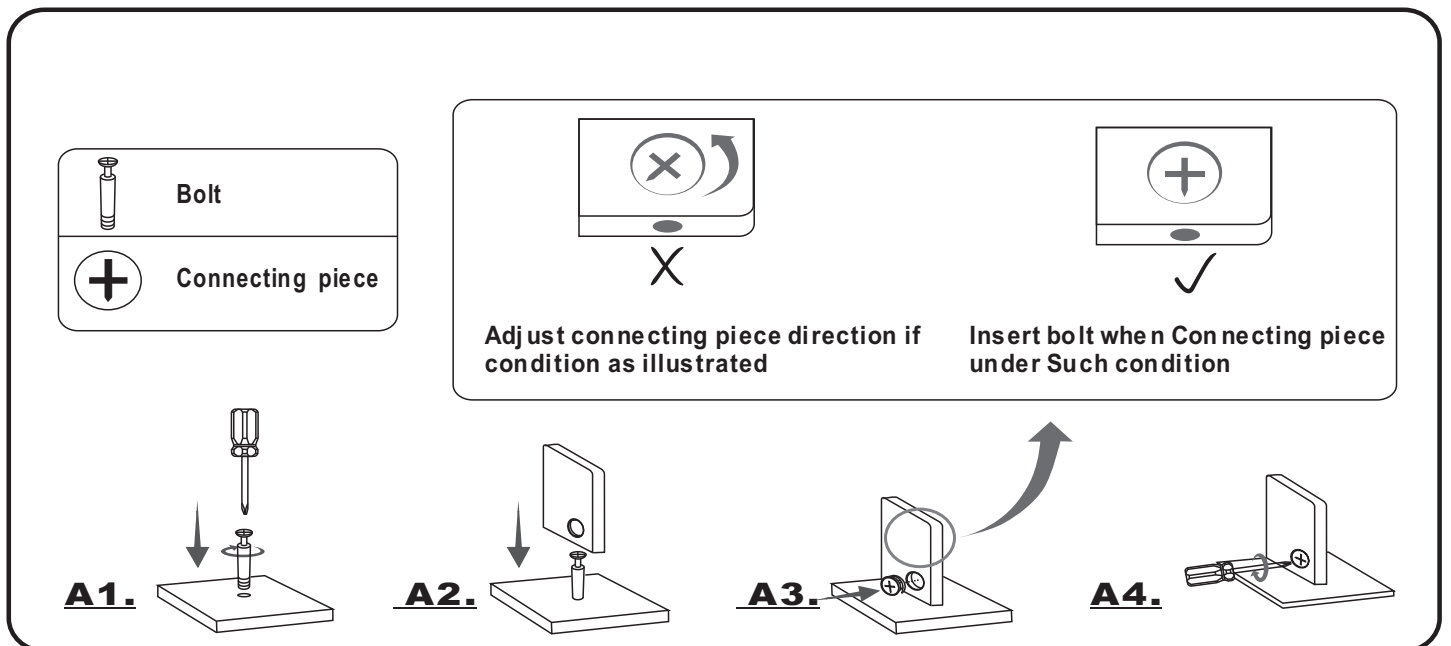
 1	 2	 3	 4
 5	 6	 7	 8
 9		 10	
 11		 12	 13 Left Right
3SETS			



▪ SCREWS LIST

PART	QTY.	ITEM		PART	QTY.	ITEM	
A	14	6X40 MM		H	2	6X25 MM	
B	36	3X15 MM		I	2	6X60 MM	
C	12	4X35 MM		J	4	Φ 16 MM	
D	6	4X20 MM		K	14	Φ 15 MM	
E	16	4X14 MM		L	8	8X30 MM	
F	18	6X15 MM			1		
G	4	6X35 MM					

▪ 6X40MM BOLT INSTALLATION AS BELOW:



ASSEMBLY STEPS:

1

SCREWS
B 3X15 MM
 4PCS

2

SCREWS
F 6X15 MM
 2PCS

3

SCREWS
C 4X35 MM
 4PCS

4

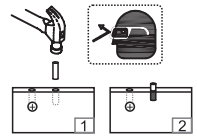
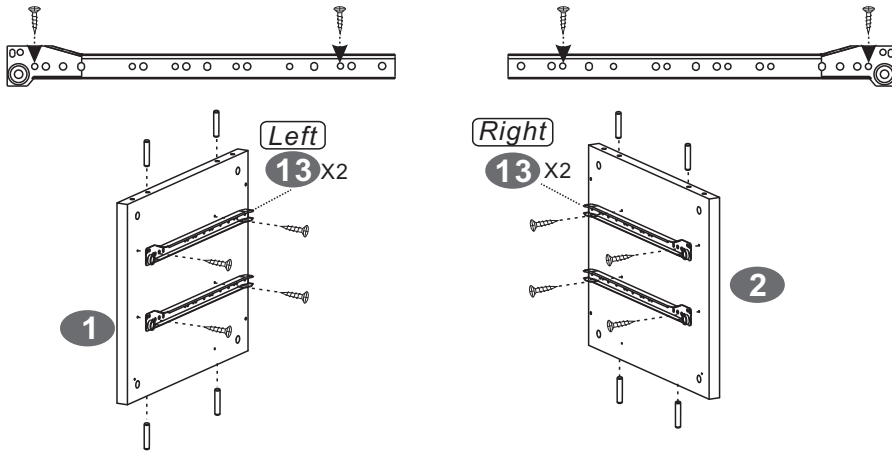
SCREWS
D 4X20 MM
 2PCS

5

SCREWS
B 3X15 MM
 4PCS

REPEAT FOR THE BOX DRAWERS

6



SCREWS

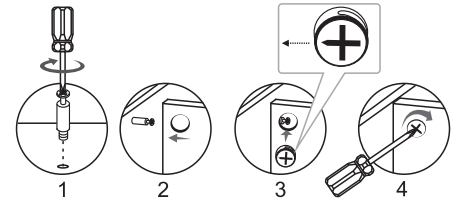
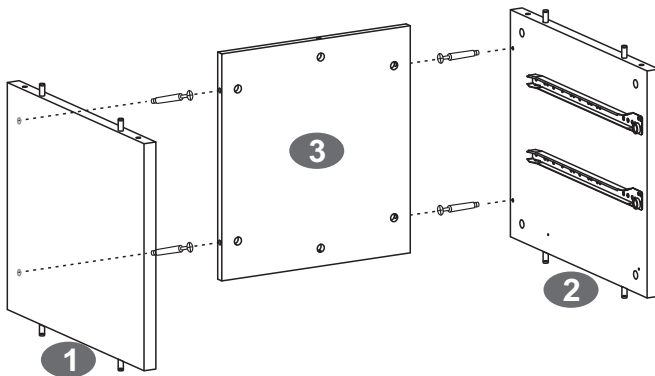
B 3X15 MM

8PCS

L 8X30 MM

8PCS

7



SCREWS

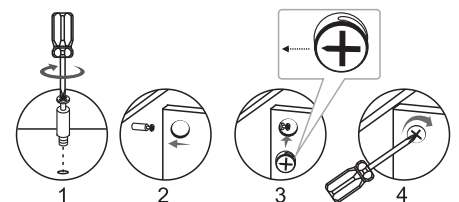
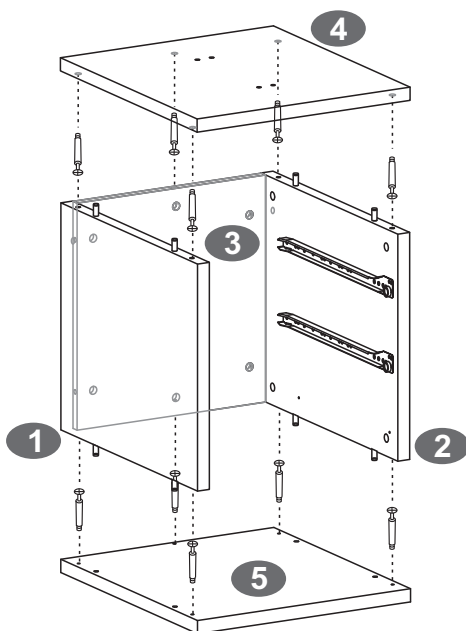
A 6X40 MM

4PCS

K Φ 15 MM

4PCS

8



SCREWS

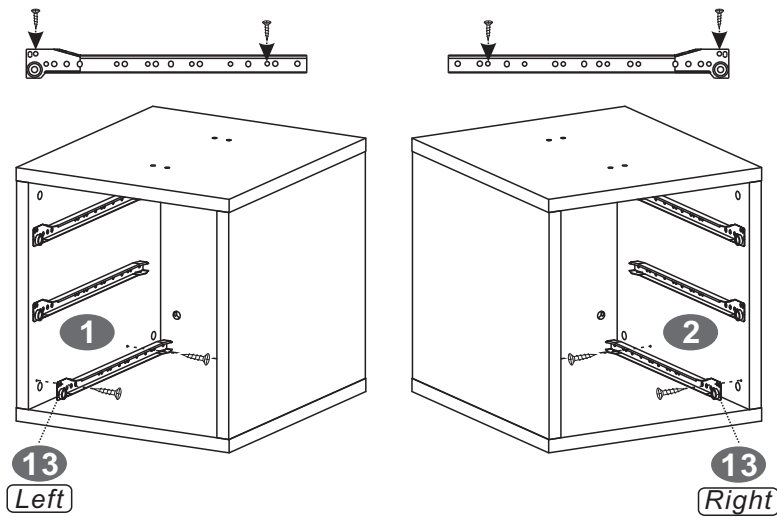
A 6X40 MM

10PCS

K Φ 15 MM

10PCS

9



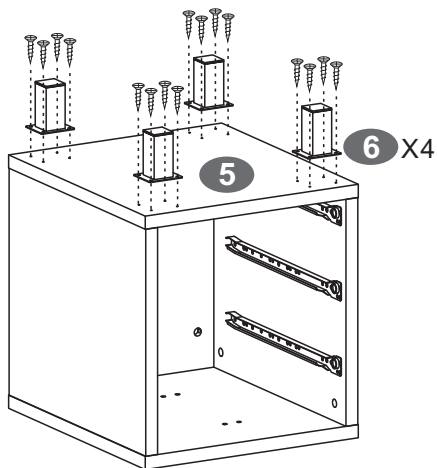
▪ SCREWS

B 3X15 MM

4PCS



10



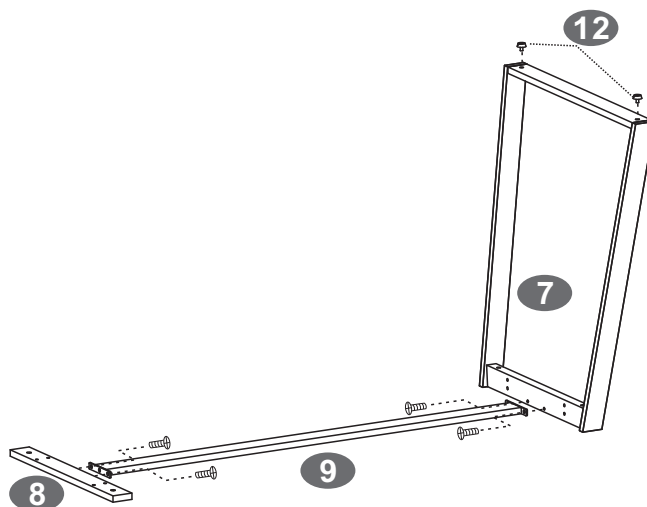
▪ SCREWS

E 4X14 MM

16PCS



11



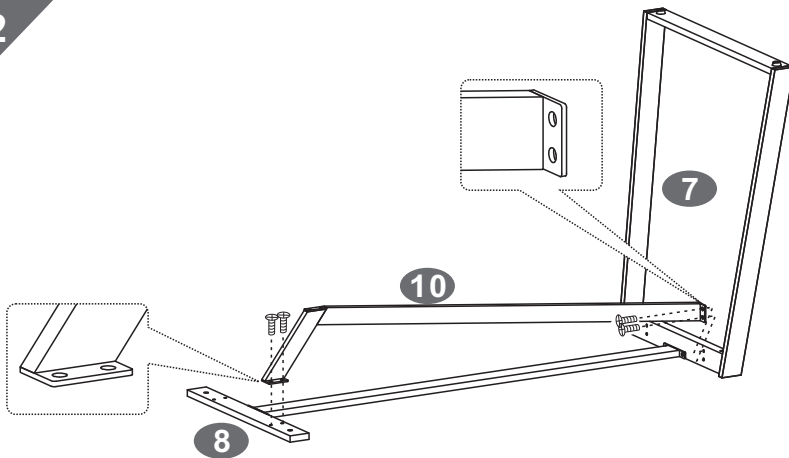
▪ SCREWS

F 6X15 MM

4PCS



12



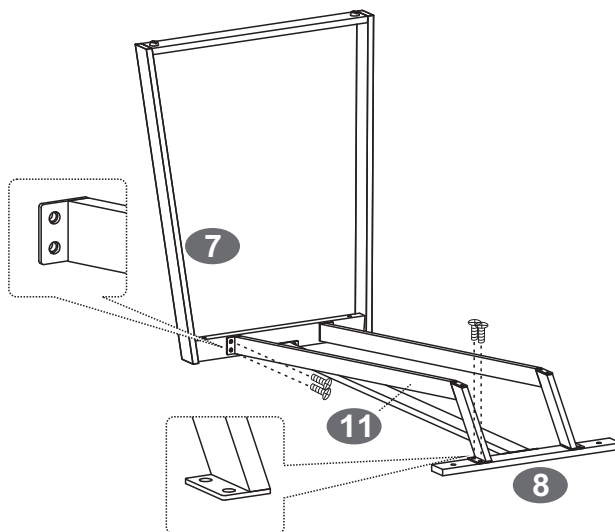
▪ SCREWS

F 6X15 MM

4PCS



13



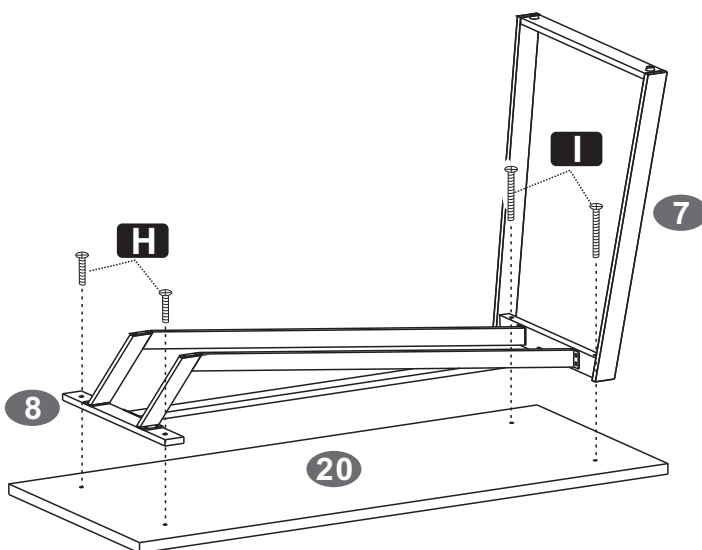
▪ SCREWS

F 6X15 MM

4PCS



14



▪ SCREWS

H 6X25 MM

2PCS

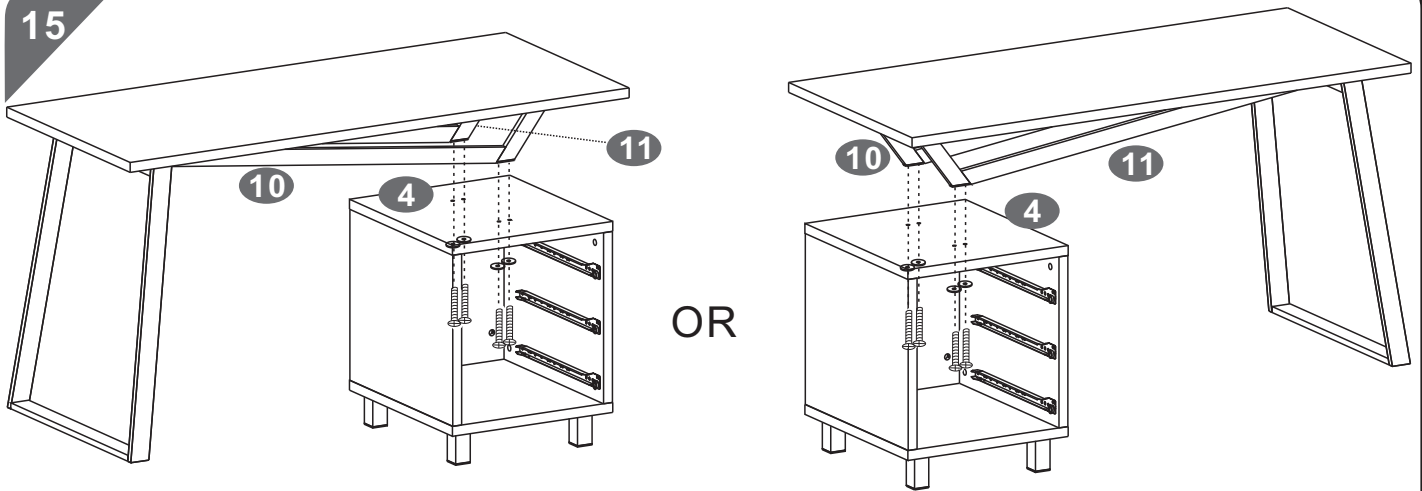


I 6X60 MM

2PCS



15



SCREWS

G 6X35 MM

4PCS



J Φ 16 MM

4PCS

16

