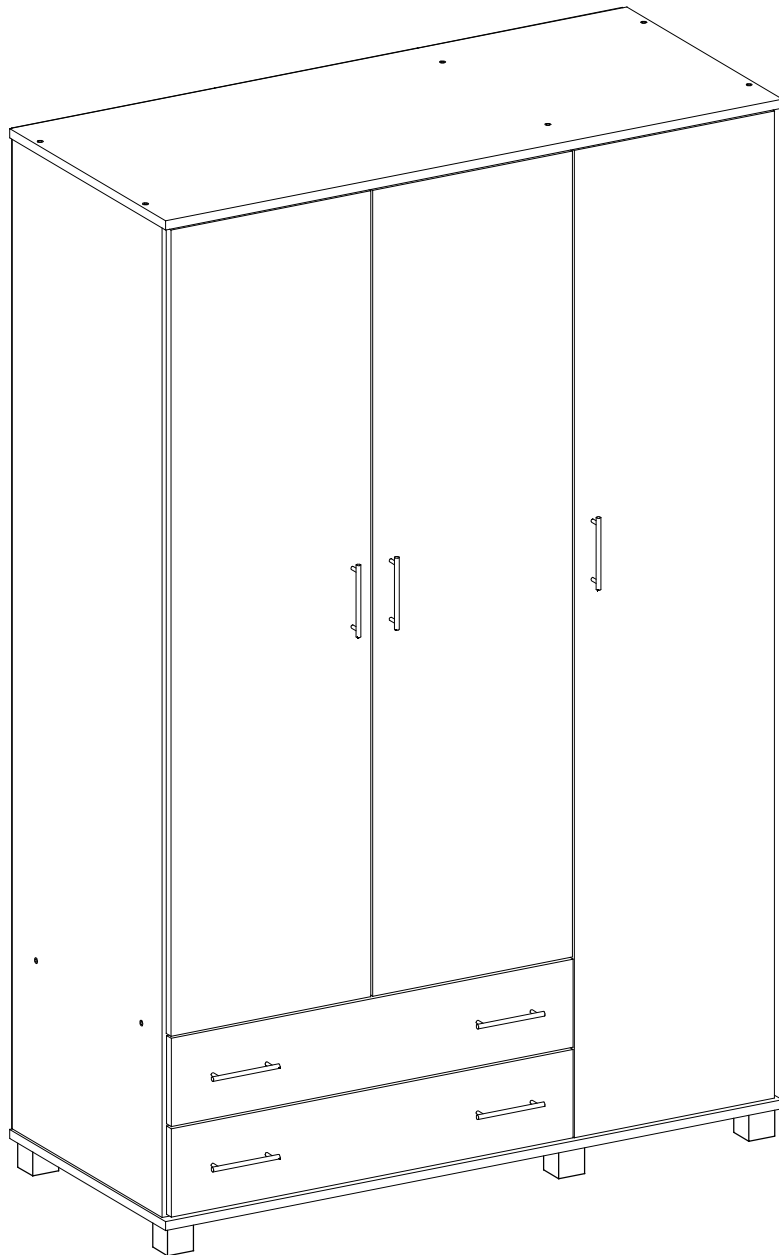



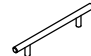




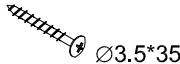




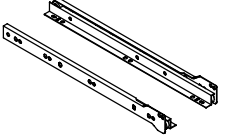
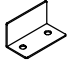
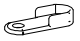

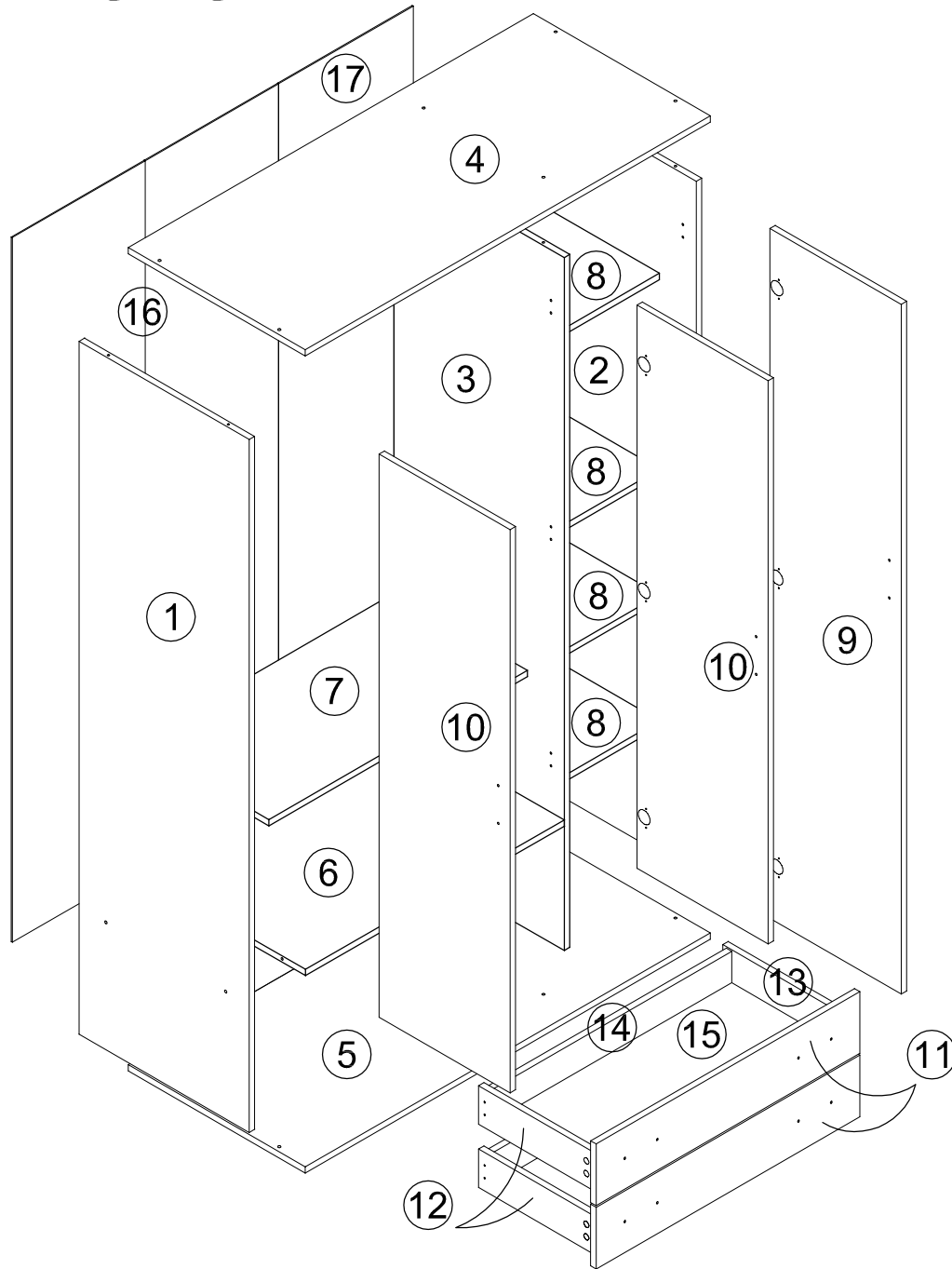


# Assembly Instruction

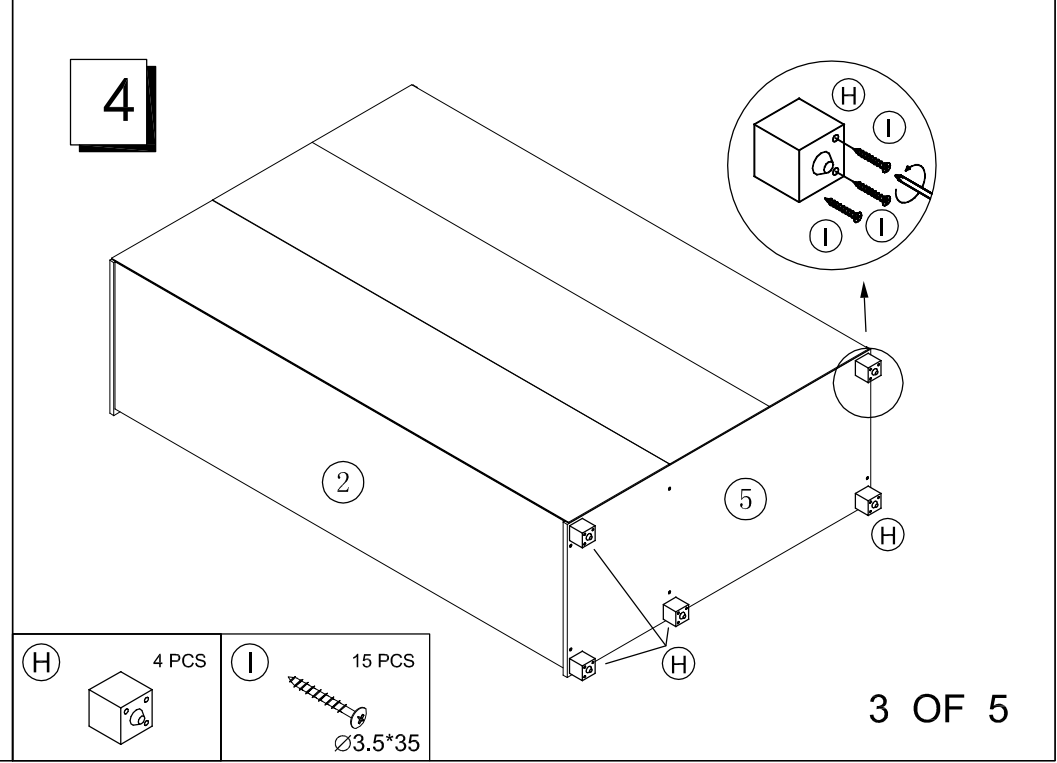
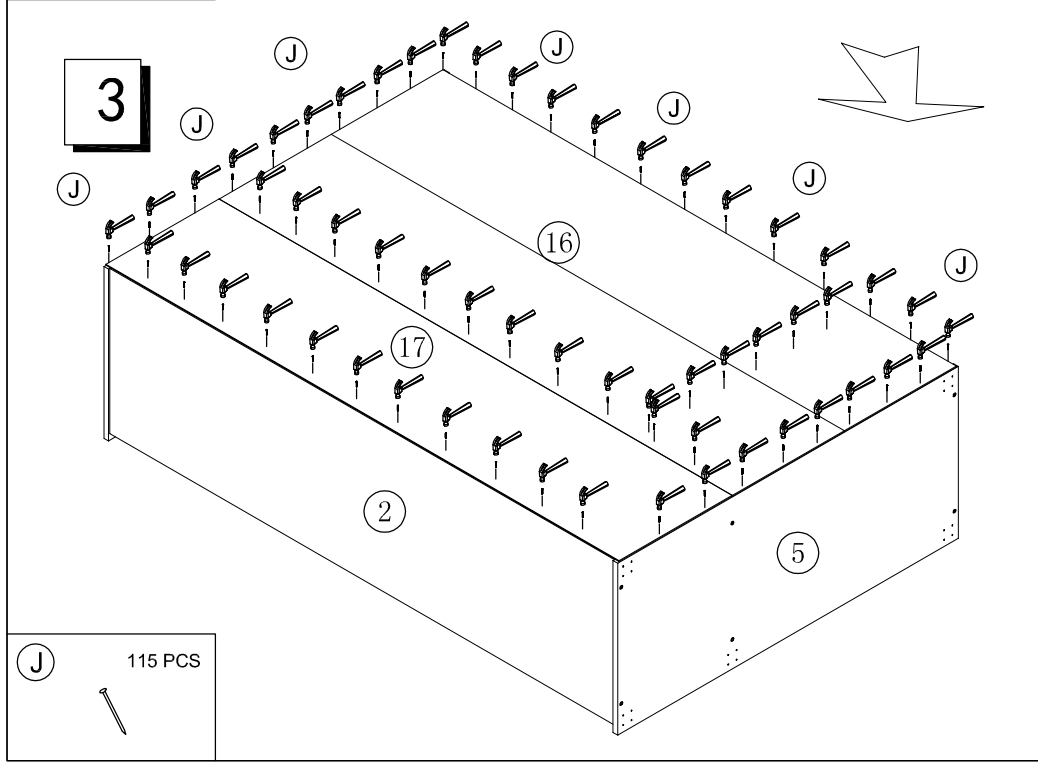
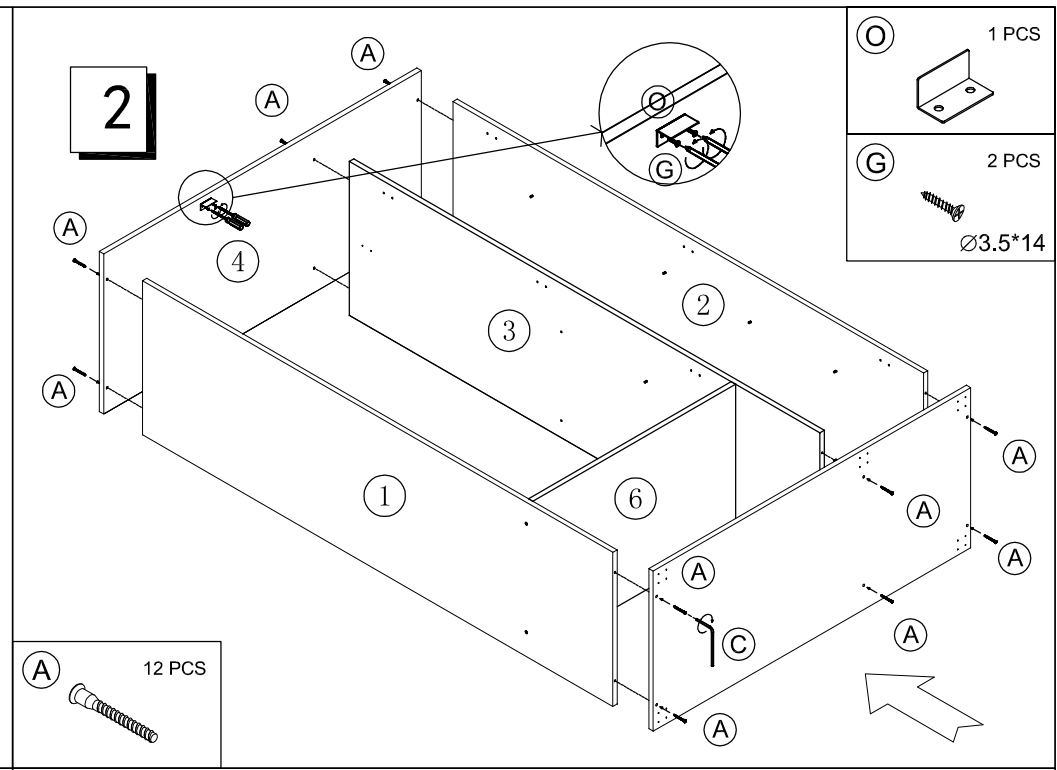
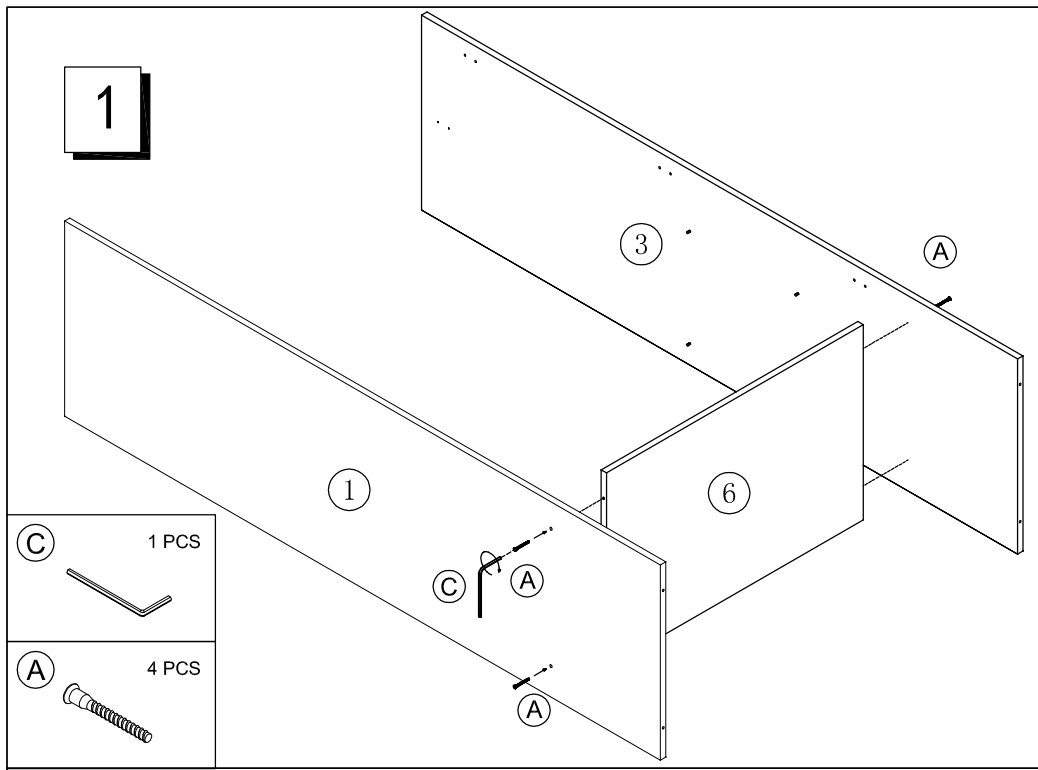


NO.	QTY.	LINEDRAWING	DESCRIPTION
(A)	16	 Ø7*50	
(B)	2		
(C)	1		
(D)	7		
(E)	14	 Ø4*22	
(F)	20		
(G)	40	 Ø3.5*14	
(H)	5		
(I)	23	 Ø3.5*35	
(J)	115	 Ø2*25	
(K)	9		
(L)	8		
(M)	8		
(N)			
(O)	1		
(P)	2		
(Q)	1		

# PARTS LIST



NO.	QTY.	LINEDRAWING	DESCRIPTION
①	1		
②	1		
③	1		
④	1		
⑤	1		
⑥	1		
⑦	1		
⑧	4		
⑨	1		
⑩	2		
⑪	2		
⑫	2		
⑬	2		
⑭	2		
⑮	2		
⑯	1		
⑰	1		



5

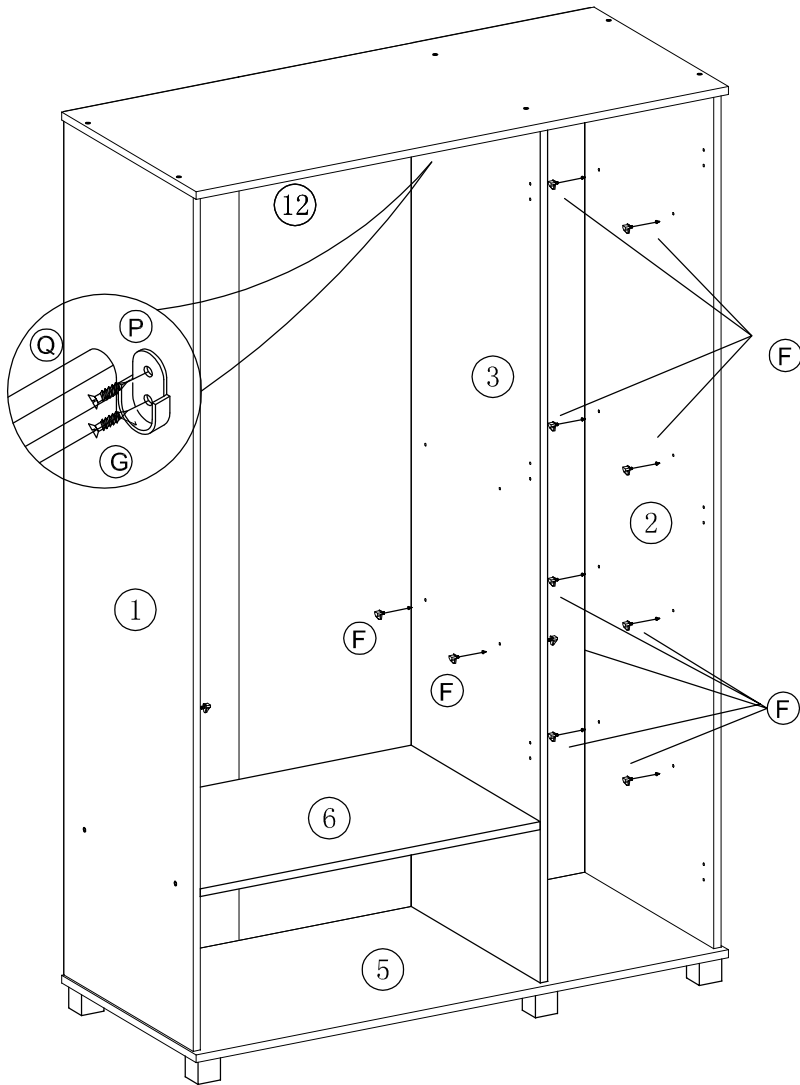
P 2 PCS



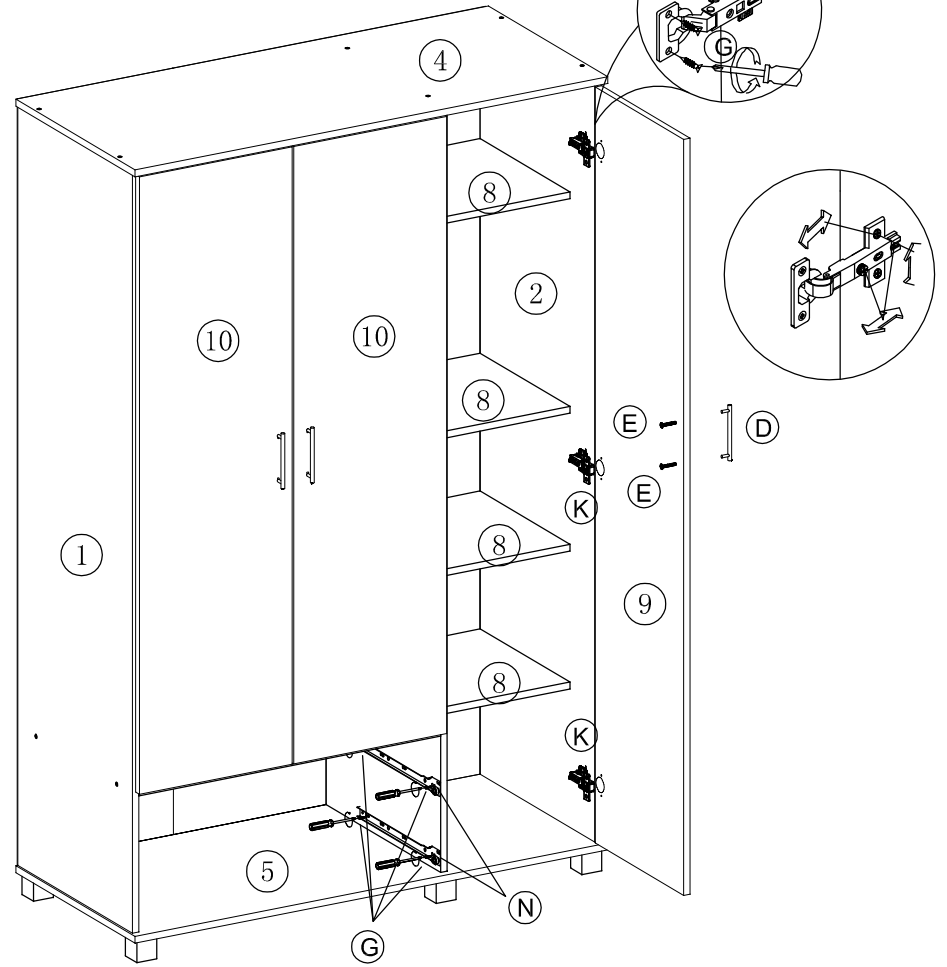
Q 1 PCS



G 4 PCS  
Ø3.5\*14



6



F 20 PCS



N 2 PCS



D 3 PCS



E 6 PCS



K 9 PCS

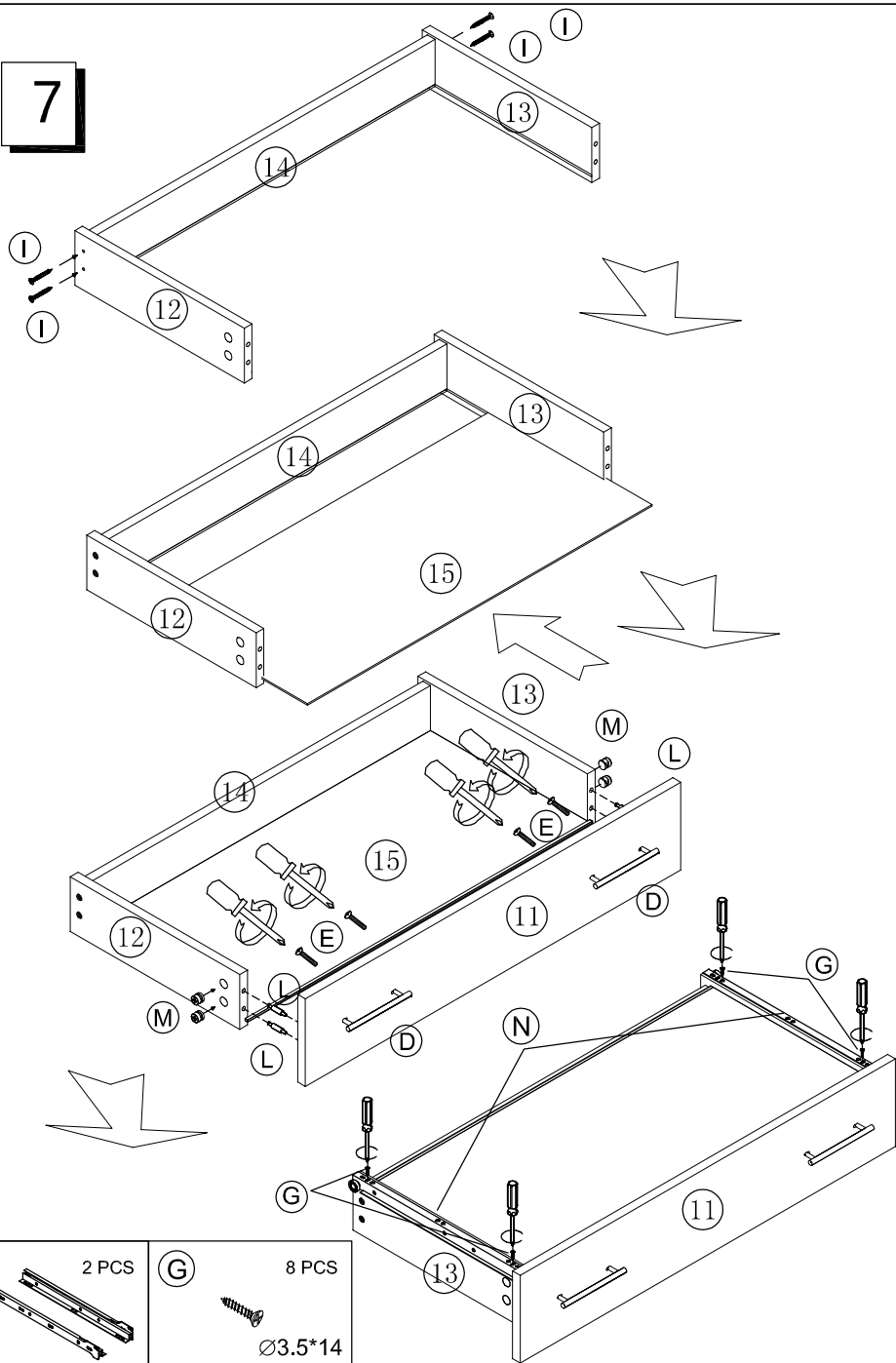


G 26 PCS  
Ø3.5\*14



4 OF 5

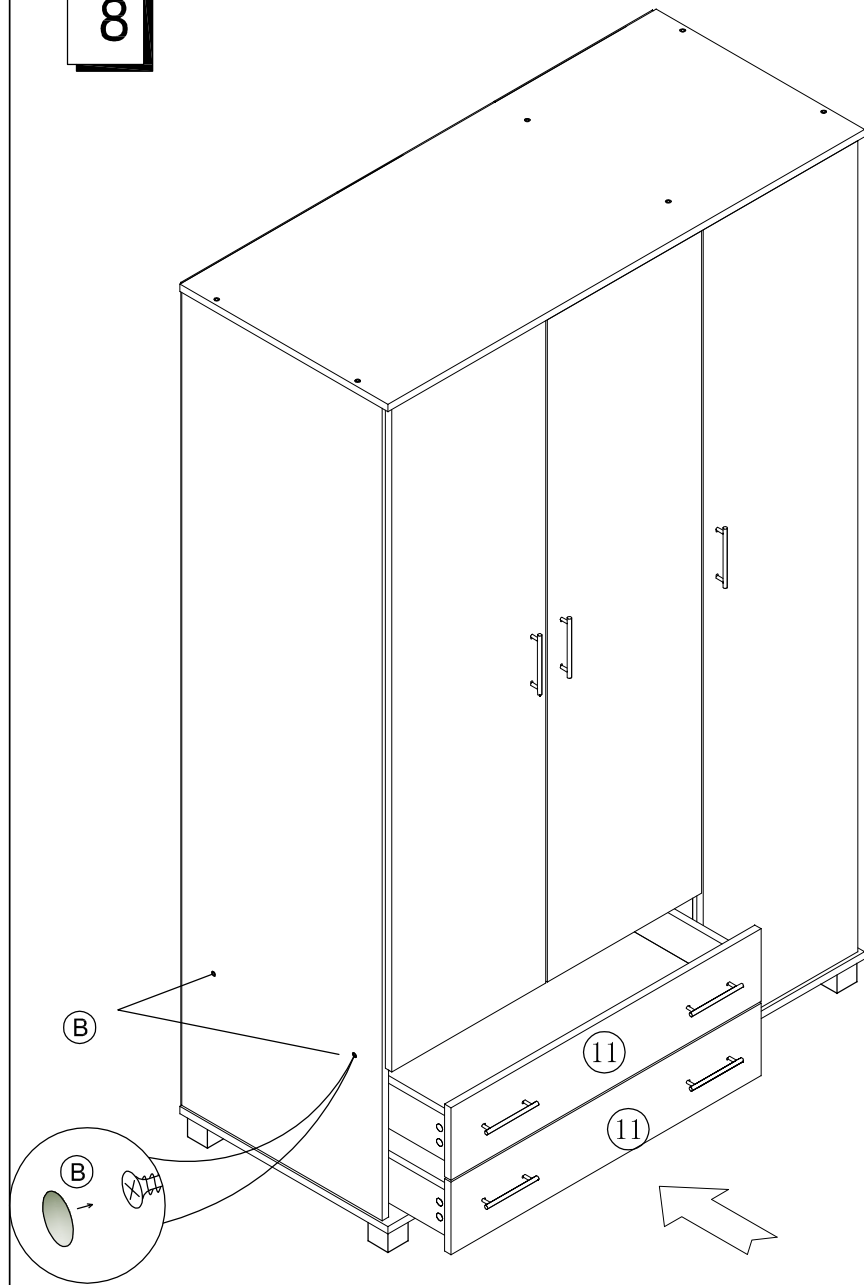
7



<b>(N)</b>	2 PCS	<b>(G)</b>	8 PCS
			$\varnothing 3.5 \times 14$

<b>(D)</b>	4 PCS	<b>(E)</b>	8 PCS	<b>(L)</b>	8 PCS	<b>(M)</b>	8 PCS

8



<b>(B)</b>	2 PCS