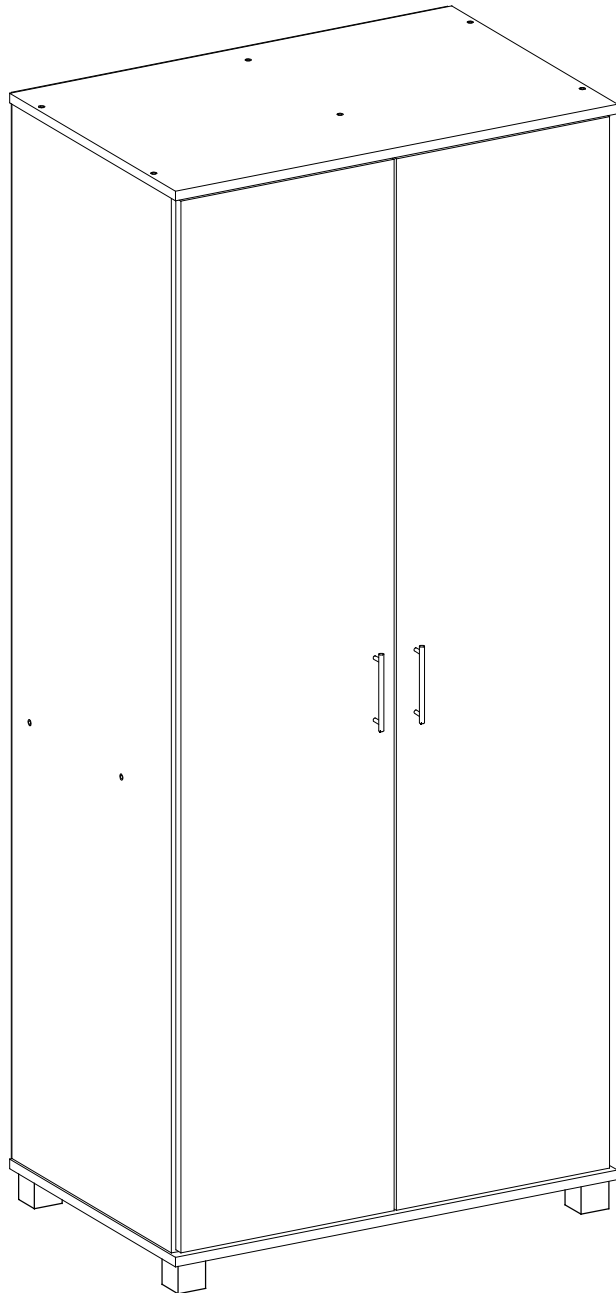











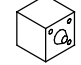

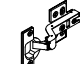
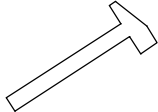

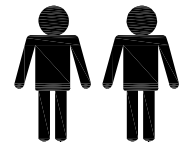


# Assembly Instruction

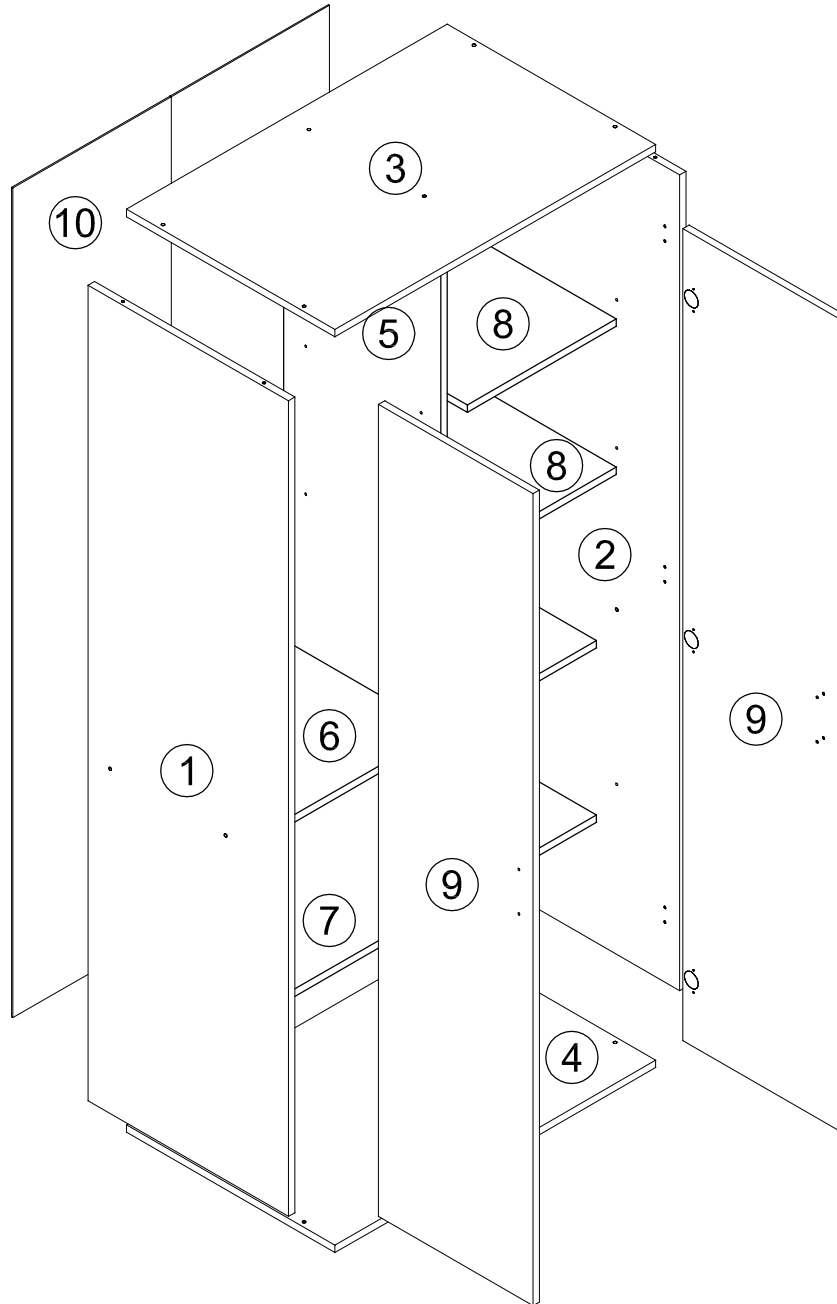


NO.	QTY.	LINEDRAWING	DESCRIPTION
(A)	16	 Ø7*50	
(B)	4		
(C)	1		
(D)	2		
(E)	4		
(F)	12		
(G)	2		
(H)	1		
(I)	2		
(J)	20	 Ø3.5*14	
(K)	60		
(L)	4		
(M)	12	 Ø3.5*35	
(N)	6		

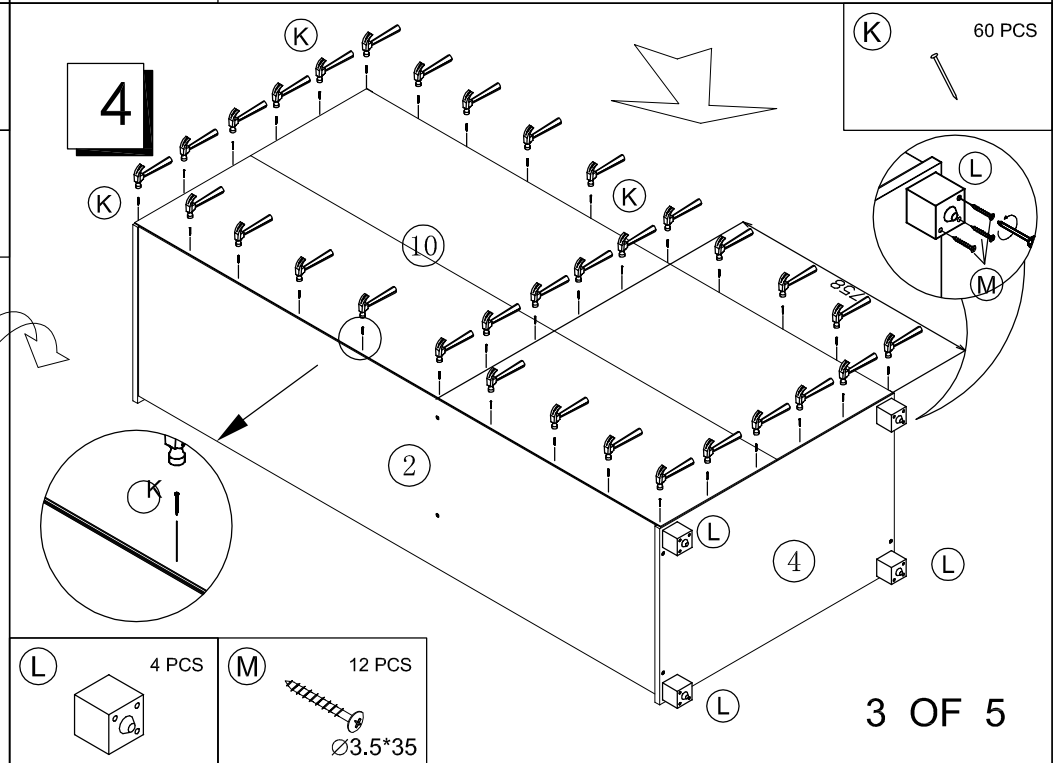
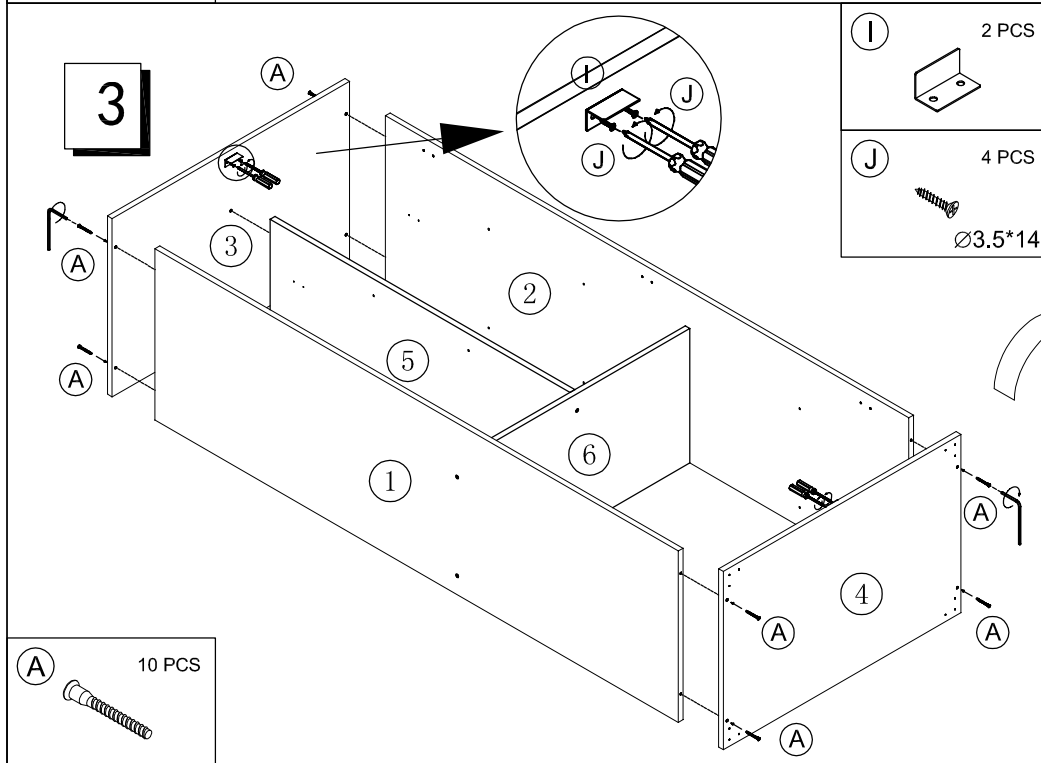
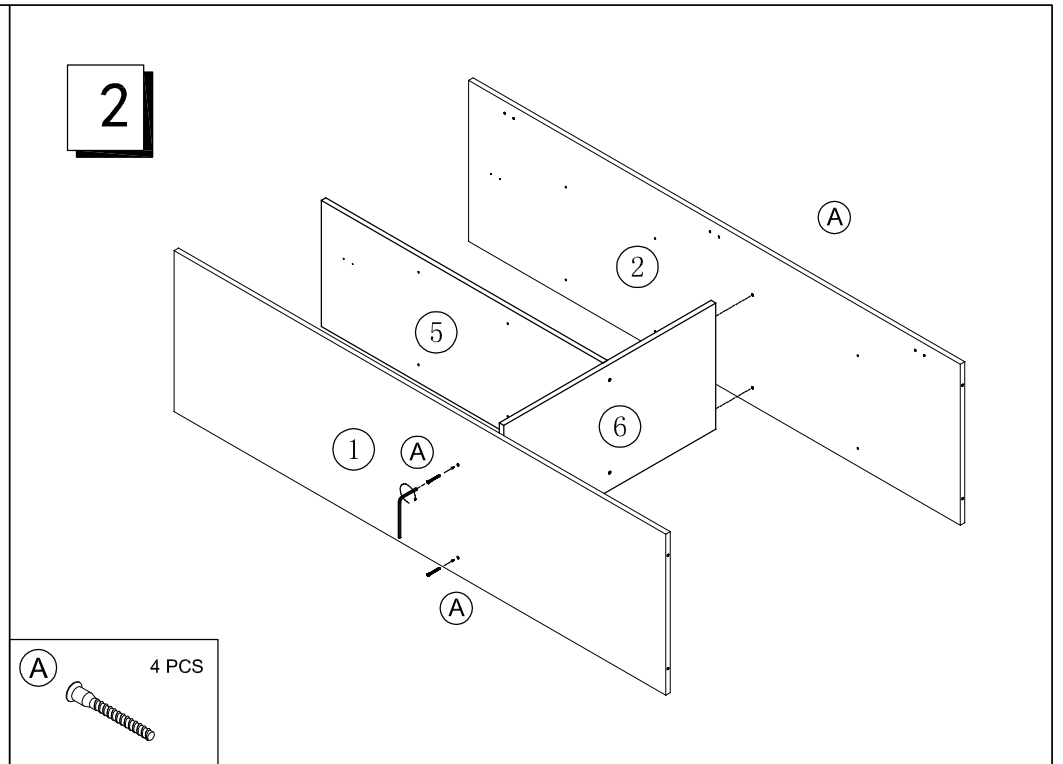
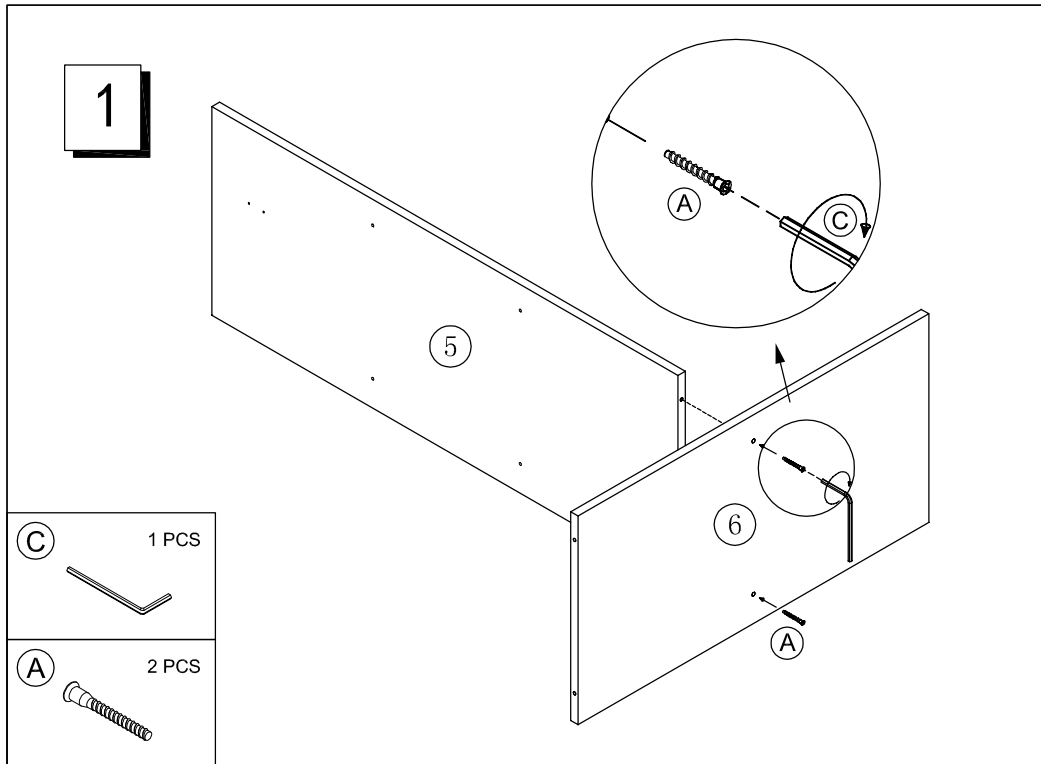


  
 Hammer and Screwdriver  
 are not included !!



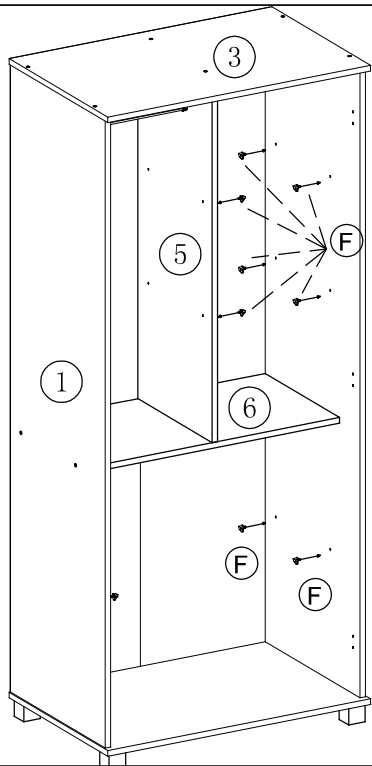
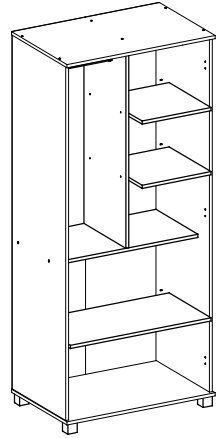
# PARTS LIST



NO.	QTY.	LINEDRAWING	DESCRIPTION
①	1		
②	1		
③	1		
④	1		
⑤	1		
⑥	1		
⑦	1		
⑧	2		
⑨	2		
⑩	1		



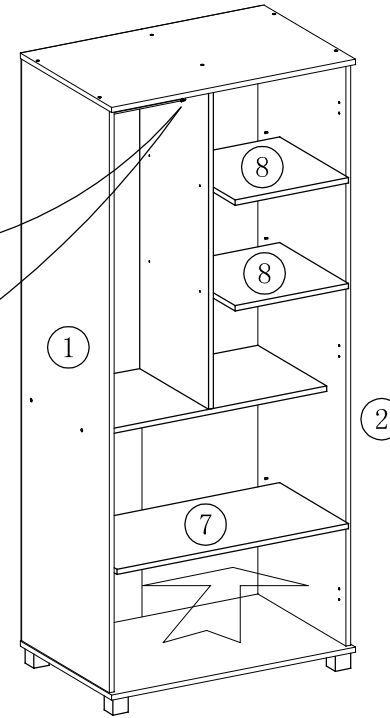
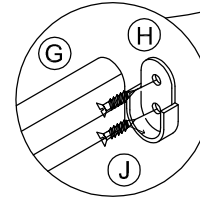
5



F 12 PCS



6



G 2 PCS



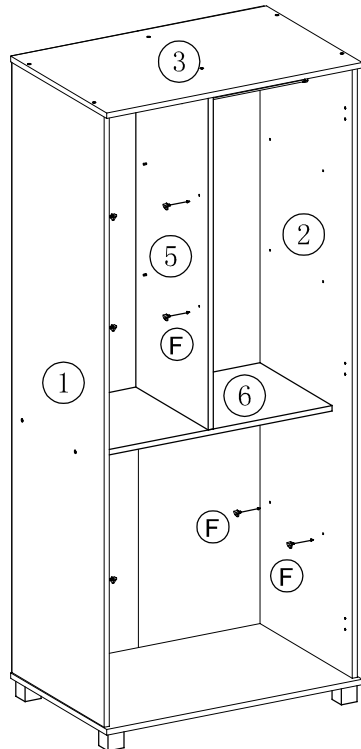
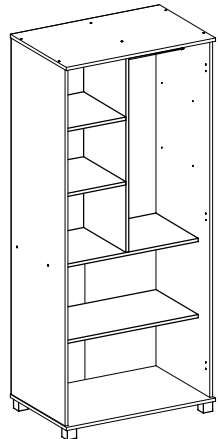
H 1 PCS



J 4 PCS  
Ø3.5\*14



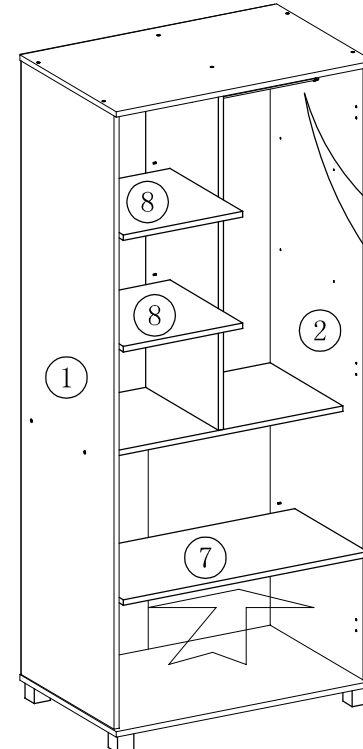
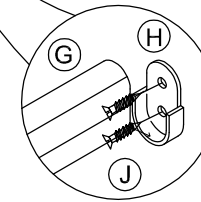
7



F 12 PCS



8



G 2 PCS



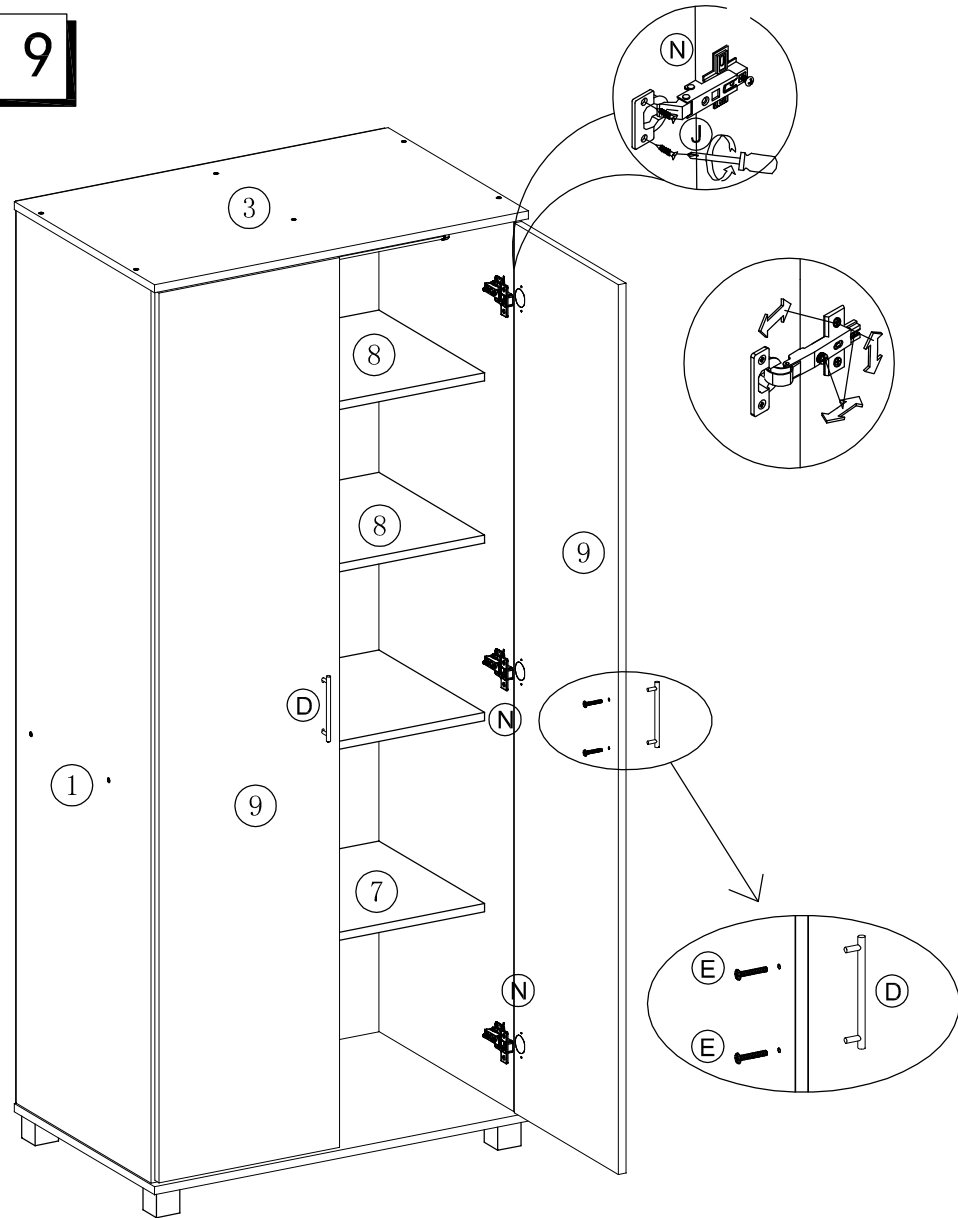
H 1 PCS



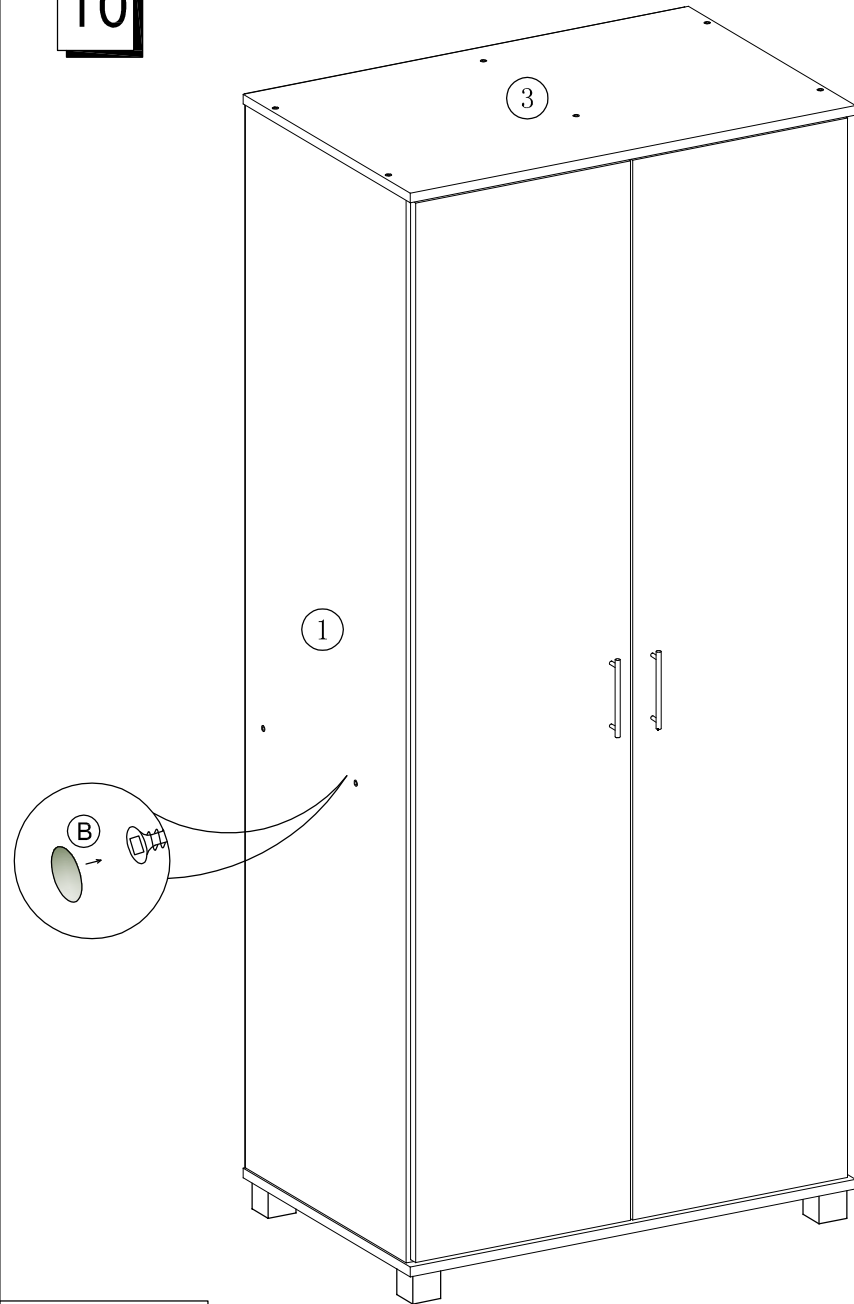
J 4 PCS  
Ø3.5\*14



9



10



<b>(D)</b>	2 PCS	<b>(E)</b>	4 PCS	<b>(N)</b>	6 PCS	<b>(J)</b>	12 PCS
							$\varnothing 3.5 \times 14$

<b>(B)</b>	4 PCS